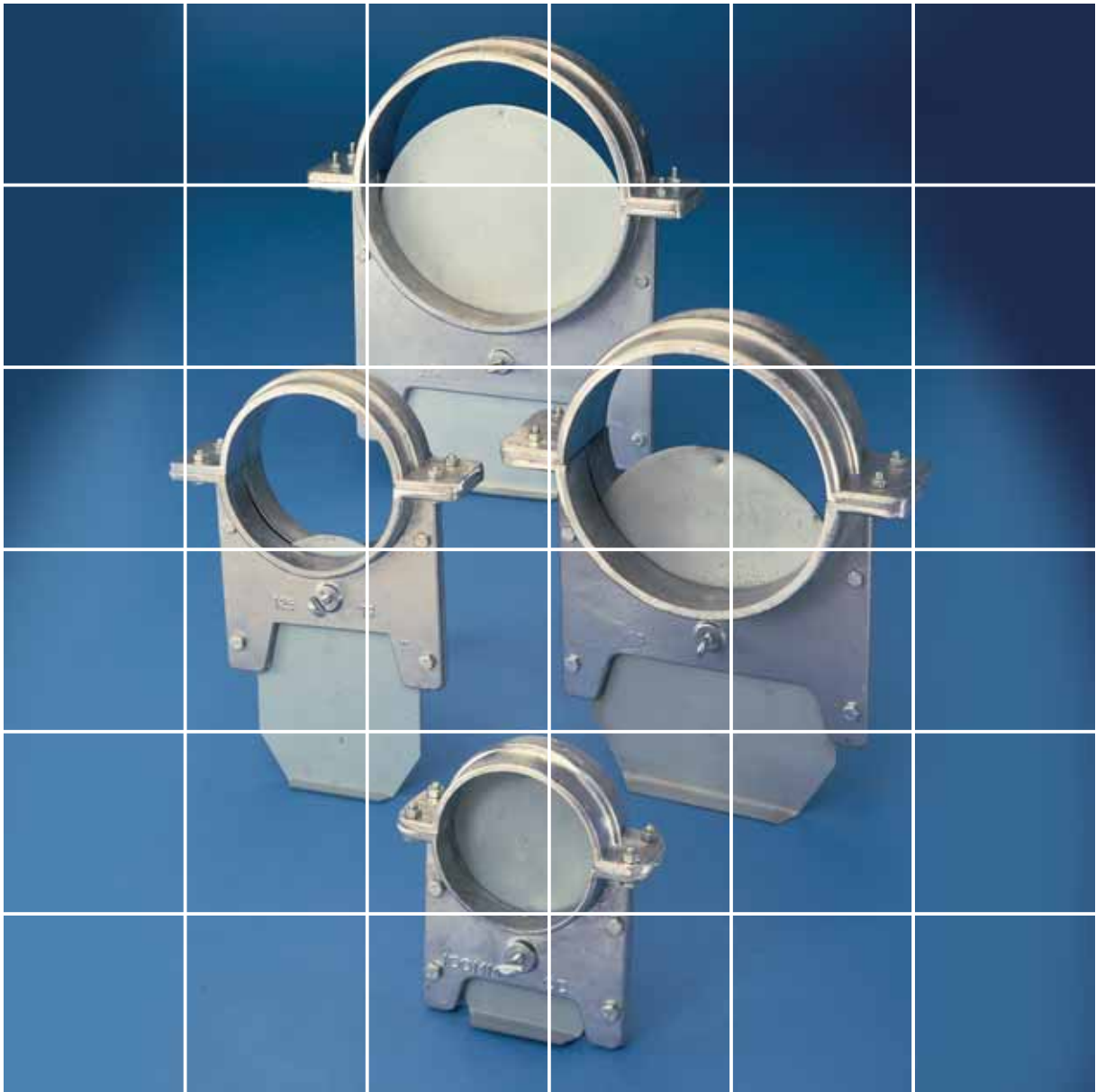




## **HOTCHKISS AIR SUPPLY**

Heating, Ventilating & Air Movement Equipment



B l a s t   G a t e   D a m p e r s

## Description

The HAS range of blast gate dampers has been designed for use primarily within the extraction and materials handling industry. Their robust construction makes them an ideal means of controlling airflow within fume, dust and wood waste extraction systems. The simple but effective design allows the damper blade to be operated with ease and secured in position using an integral thumb operated locking screw.

## Construction

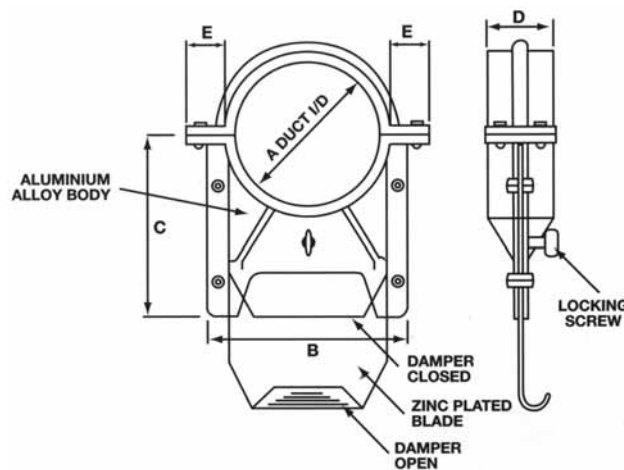
Manufactured from quality aluminium alloy the main body is of die-cast construction while the damper blade is corrosion resistant zinc plated steel. Designed to be easily installed in a new or existing system the damper can also be readily removed should cleaning be required. Stainless Steel blades can be specified where particularly corrosive fumes are being handled. Factory fitted felt sealing strips are available as an option where high degree of air tightness is required.

## Features

- High quality robust construction
- Easily removed for duct cleaning
- No maintenance required
- Suitable for new or existing systems
- Stainless steel blades available
- Felt strip seals available

## Dimensions

Unit	Dimensions in mm				
Size	A	B	C	D	E
63	63	95	90	44	25
80	80	110	105	47	25
100	100	135	130	50	30
125	125	165	155	55	40
150	150	190	175	75	40
160	160	200	190	75	40
180	180	215	200	75	40
200	200	240	230	75	40
224	224	280	250	88	40
250	250	300	290	105	40
280	280	325	290	108	40
300	300	360	340	125	45
315	315	380	350	125	45
355	355	410	400	155	50



**Head Office:**  
 Heath Mill Road, Wombourne,  
 Wolverhampton,  
 West Midlands, WV5 8AP  
 Tel: (01902) 895161  
 Fax: (01902) 892045

[www.hotchkissairsupply.co.uk](http://www.hotchkissairsupply.co.uk) email: [sales@hotchkissairsupply.co.uk](mailto:sales@hotchkissairsupply.co.uk)