



HA₂
HOTCHKISS
AIR ACOUSTICS



C R 2 5 C i r c u l a r A t t e n u a t o r s

Description

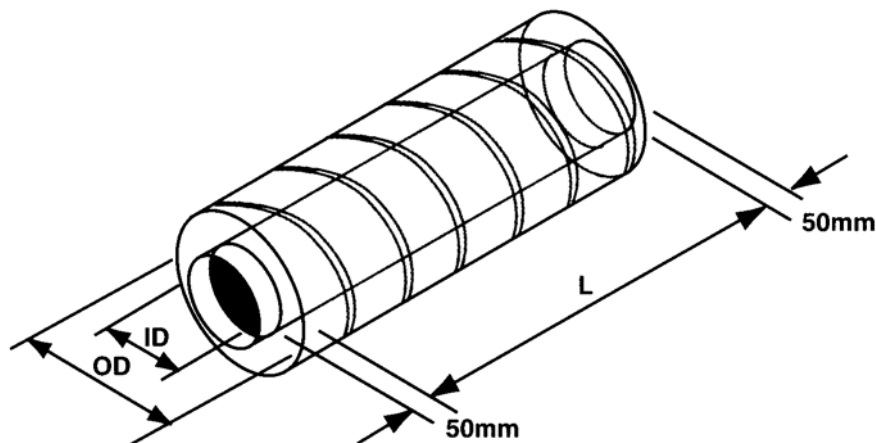
Hotchkiss Air Acoustic offer a range of circular attenuators in standard diameters from 100mm to 400mm diameter. CR25 attenuators are available in standard 300mm, 600mm, 900mm and 1200mm lengths with non-standard lengths available on request.

Attenuator construction for this range comprises a pre-galvanised sheet steel spiral wound outer casing, manufactured in accordance with HVCA DW144 specification, with circular spigotted end caps. The inner bore is manufactured from pre-galvanised and perforated spiral wound steel tube, retaining a 50mm thick scrim faced 45 kg/cu.m acoustic media.

Acoustic medias of alternative specification and thickness can be supplied on request.

The CR25 range of circular attenuators offer minimal resistance to airflow and can be used in a variety of noise control applications:-

- Small fan system attenuation
- Cross-talk attenuation
- System noise regeneration attenuation
- System terminal unit attenuation





Attenuator Data

Acoustic Performance

2dB/octave band mid frequencies

Attenuator code	I.D inside diameter mm	O.D outside diameter mm	"L" length mm	unit weight kg	125	250	500	1K	2K	4K
CR2510003	100	200	300	2	4	8	12	19	22	16
CR2510006	100	200	600	3	6	13	23	30	27	22
CR2510009	100	200	900	5	8	19	30	35	31	28
CR2510012	100	200	1200	6	10	24	35	38	38	34
CR2512503	125	224	300	3	3	7	12	16	18	15
CR2512506	125	224	600	4	5	12	20	31	33	21
CR2512509	125	224	900	7	7	15	26	36	36	29
CR2512512	125	224	1200	9	8	19	32	40	40	34
CR2515003	150	250	300	3	3	8	11	14	14	12
CR2515006	150	250	600	6	6	11	20	28	29	20
CR2515009	150	250	900	8	7	14	26	37	36	24
CR2515012	150	250	1200	10	8	18	31	41	40	28
CR2516003	160	250	300	3	3	8	11	14	14	12
CR2516006	160	250	600	6	6	11	20	28	29	20
CR2516009	160	250	900	8	7	14	26	37	36	24
CR2516012	160	250	1200	10	8	18	31	41	40	28
CR2520003	200	300	300	4	3	6	9	12	9	6
CR2520006	200	300	600	7	5	8	14	26	24	18
CR2520009	200	300	900	10	7	10	19	30	28	20
CR2520012	200	300	1200	12	9	14	23	33	31	22
CR2525003	250	355	300	5	2	5	8	10	7	4
CR2525006	250	355	600	9	5	8	14	21	16	13
CR2525009	250	355	900	12	7	10	19	27	22	16
CR2525012	250	355	1200	15	9	13	25	34	28	19
CR2530003	300	400	300	5	2	4	7	8	5	3
CR2530006	300	400	600	12	5	7	13	18	16	11
CR2530009	300	400	900	18	6	10	17	23	18	14
CR2530012	300	400	1200	24	8	12	21	31	21	16
CR2531503	315	400	300	5	2	4	7	8	5	3
CR2531506	315	400	600	12	5	7	13	17	15	10
CR2531509	315	400	900	18	6	10	17	21	17	13
CR2531512	315	400	1200	24	8	12	20	29	20	15
CR2535503	355	450	300	6	3	5	7	7	4	2
CR2535506	355	450	600	14	5	6	12	15	13	9
CR2535509	355	450	900	20	6	8	15	19	15	12
CR2535512	355	450	1200	28	7	9	13	20	18	12
CR2540003	400	500	300	8	2	4	6	7	4	2
CR2540006	400	500	600	16	5	7	10	12	10	7
CR2540009	400	500	900	22	6	7	13	21	14	10
CR2540012	400	500	1200	32	7	9	14	21	16	11

Head Office:
 Heath Mill Road, Wombourne,
 Wolverhampton,
 West Midlands, WV5 8AP
 Tel: (01902) 895161
 Fax: (01902) 892045

www.hotchkissairsupply.co.uk email: sales@hotchkissairsupply.co.uk
www.ha2.co.uk email: sales@ha2.co.uk